

# Econocycle

AERATED WASTEWATER TREATMENT SYSTEMS

1800 808 135

- \* SAFE
- \* BENEFICIAL
- \* RELIABLE
- \* ECONOMICAL
- \* EASY INSTALLATION
- \* LOW RUNNING COSTS

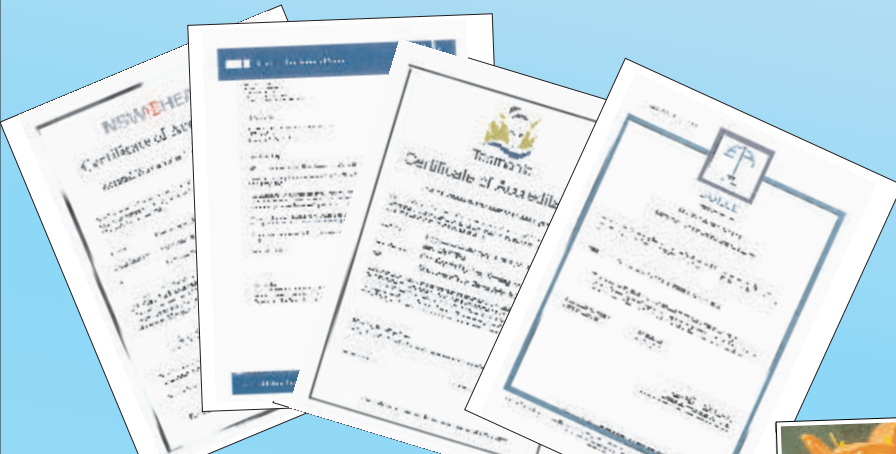


Australian Standard  
Lic. 2493  
AS/NZS 1546.3

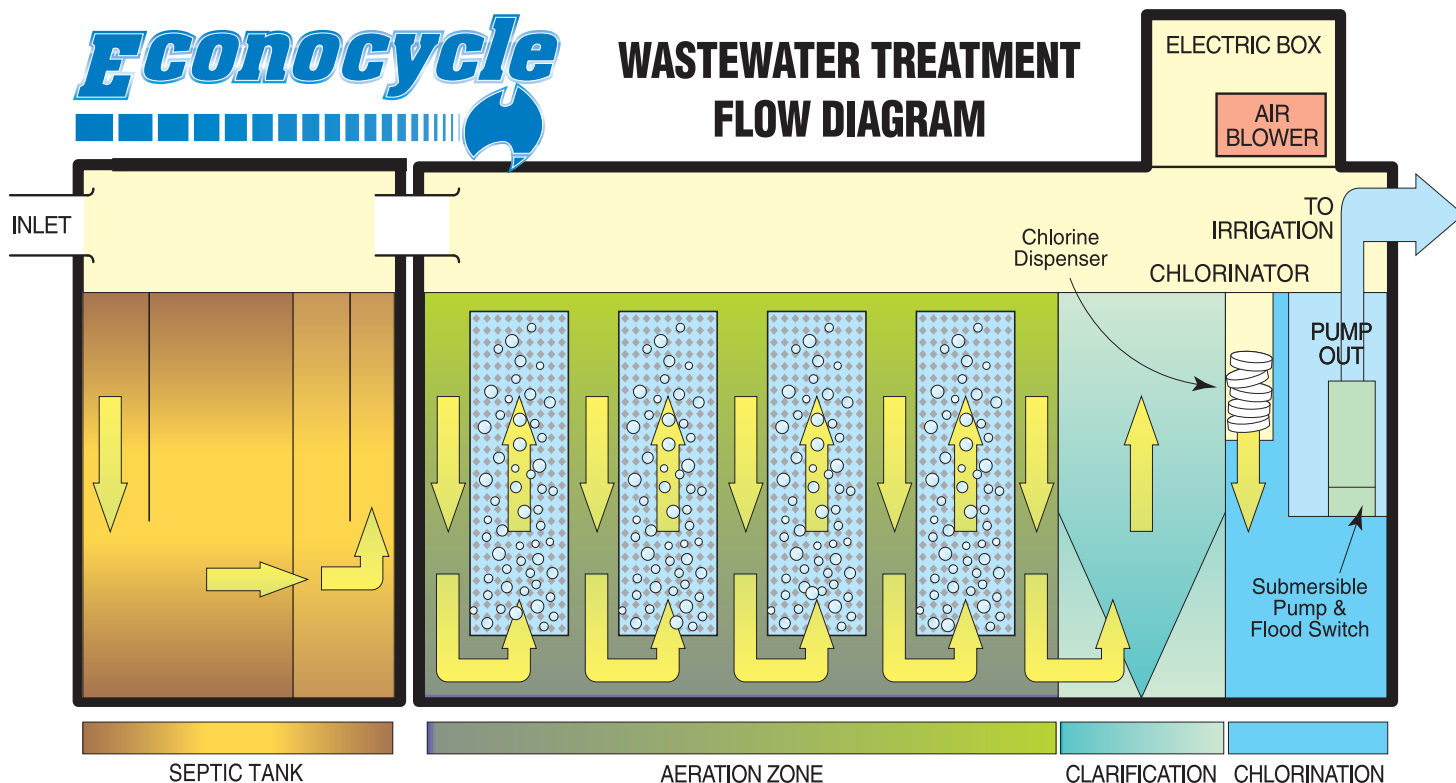


## Certification

Econocycle is proud to have been awarded numerous certificates for performance and quality so that you the Customer can feel secure in dealing with a quality oriented company



# How Does It Work?



The Econocycle Wastewater Treatment System is as its name implies, an economical and efficient way of recycling your household waste water. The high performance Econocycle system is constantly monitored and improved as new technologies are developed or become available, so you can be assured of the most up to date wastewater treatment system. After all, your family's health is involved. Continual Monitoring & Testing ensure constant product development.

Econocycle has only quality inclusions like a high volume air compressor that has proven to be very reliable. They are industrial quality, used not only by Econocycle but also in medical applications due to their efficiency and reliability. The air pump serves a dual purpose, mainly it provides oxygen for the aerobic bacteria, and the added benefit of constant sludge control and cleaning.

The irrigation pump is a submersible pump with no chance of the pump losing its prime. Its quality construction (including an open impeller) guarantees trouble-free operation for many years.

The substance of bacteria activity within the system is the key to the successful operation. The greater the media surface area the more efficient growth cycle is sustained. Econocycle utilises large packs of self-cleaning (by aeration) bacterial growth media (well above required minimum standards).

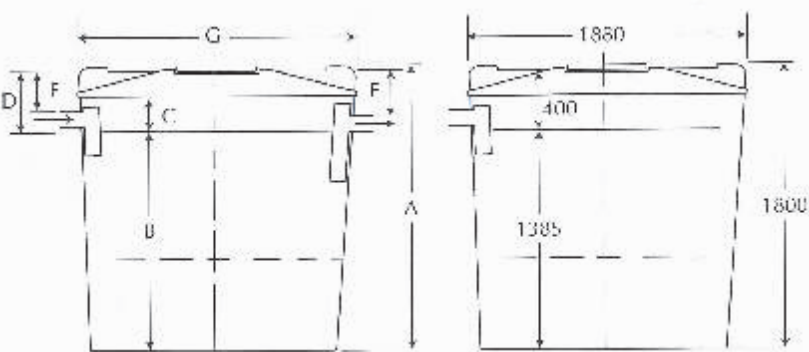
With a range of systems to choose from and varied irrigation packages the helpful staff of Econocycle can help you choose the system that is right for you and your family.

When choosing an AWTS (Aerated Wastewater Treatment System), remember Econocycle is safe and efficient, uses only quality products, is economical to use, is fully automatic and has proven reliability.



15 yrs on Tanks  
2 yrs on Pumps, electric & fittings

## Twin Tank Poly - Model ENP 10-2



FACH ECONOCYCLE TANK	DIMENSIONS
<b>TANK CAPACITY</b>	<b>3000l</b> (1000mm air space)
A. Overall tank height	1800mm
B. Liquid depth (base to invert of outlet)	1385mm
C. Tank rim to invert of outlet	225mm
D. Under roof to invert of outlet	400mm
E. Maximum cover to inlet pipe	250mm
F. Maximum cover to outlet pipe	300mm
G. Diameter - Top	1880mm
Weight inc. partition (dgt SEPTIC)	132kg
Weight inc. treatment processor	210kg