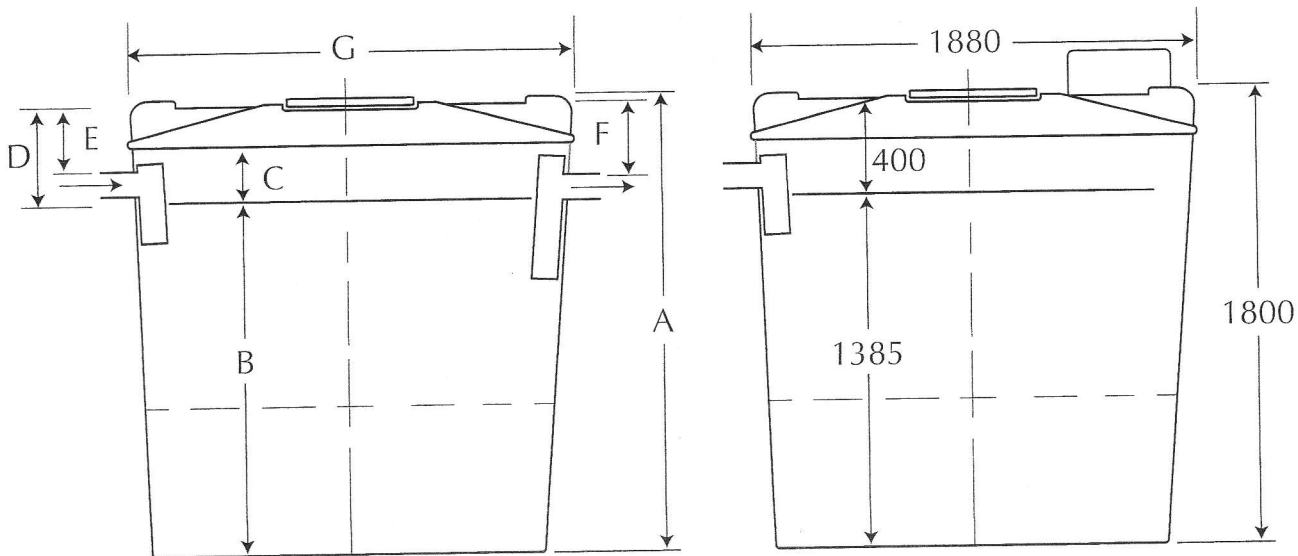


EXCAVATION DIMENSIONS

TWIN TANK POLY - MODEL ENP 10-2



BEDDING SHOULD BE ON A SOLID BASE WITH 50MM GRAVEL OR SAND FOR LEVELLING

ALL PIPE WORK MUST BE SECURELY SUPPORTED

DIMENSIONS mm	3000l (400mm air space)
A. Overall tank height	1800mm
B. Liquid depth (base to invert of outlet)	1385mm
C. Tank rim to invert of outlet	225mm
D. Under roof to invert of outlet	400mm
E. Maximum cover to inlet pipe	250mm
F. Maximum cover to outlet pipe	300mm
G. Diameter - Top (CD)	1880mm
Weight inc. partition (kg) SEPTIC	132kg
Weight inc. treatment processor	210kg

PLEASE NOTE: Please ensure that a minimum of 50mm of lid is above ground.