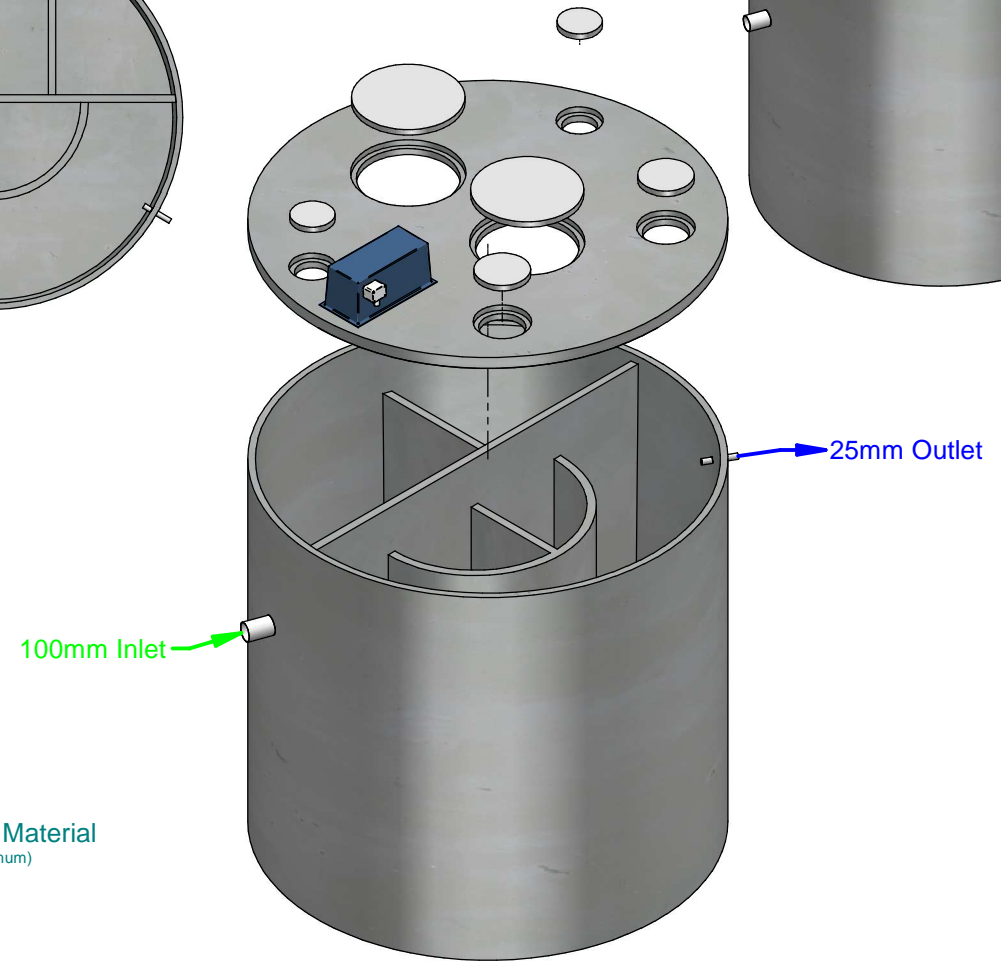
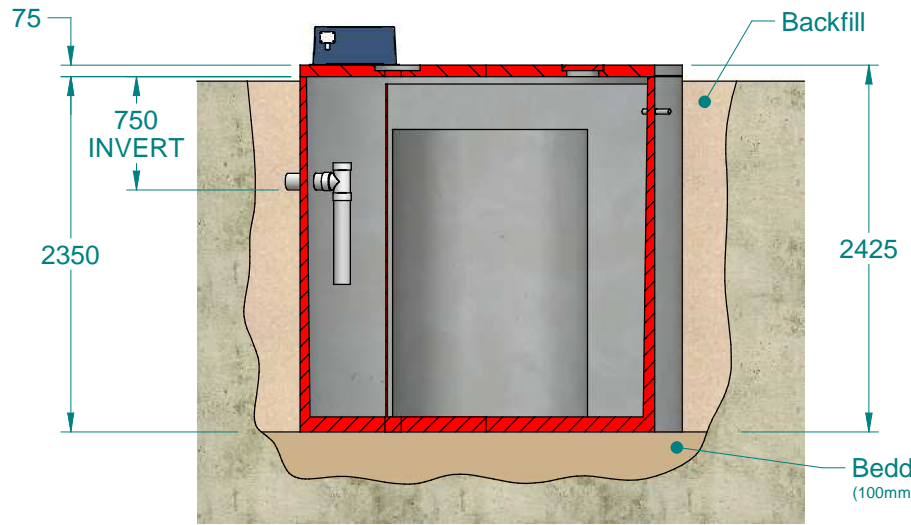
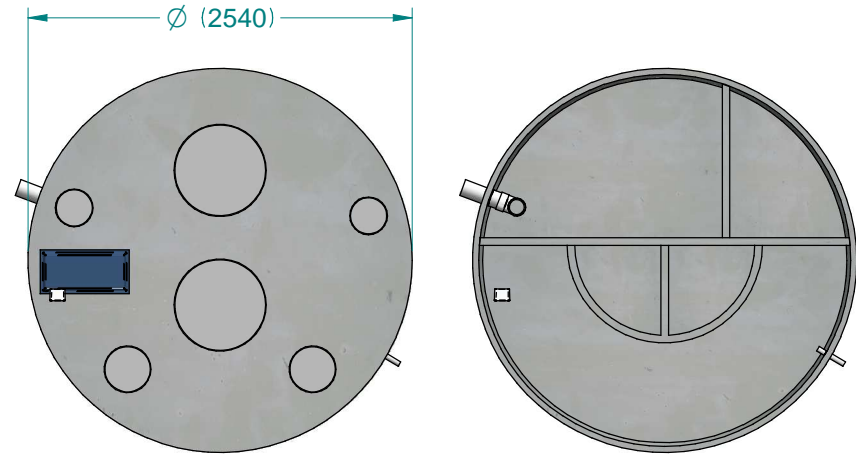
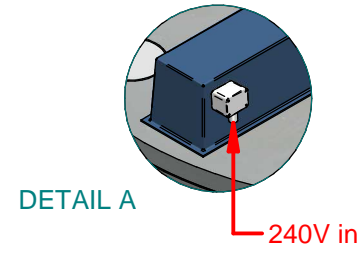


## Econo Tall Boy



Tank manufactured in accordance with AS/NZS 1546.1:2008