

1

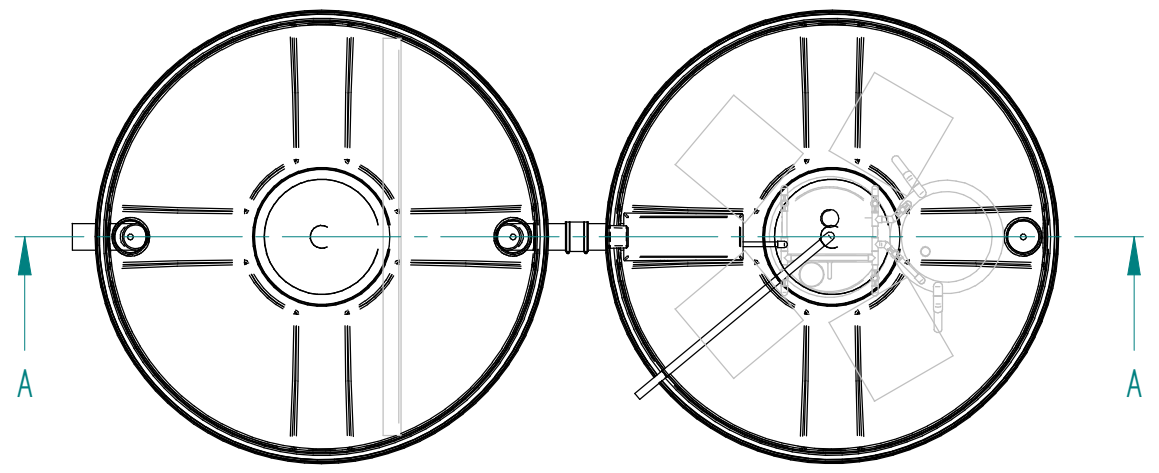
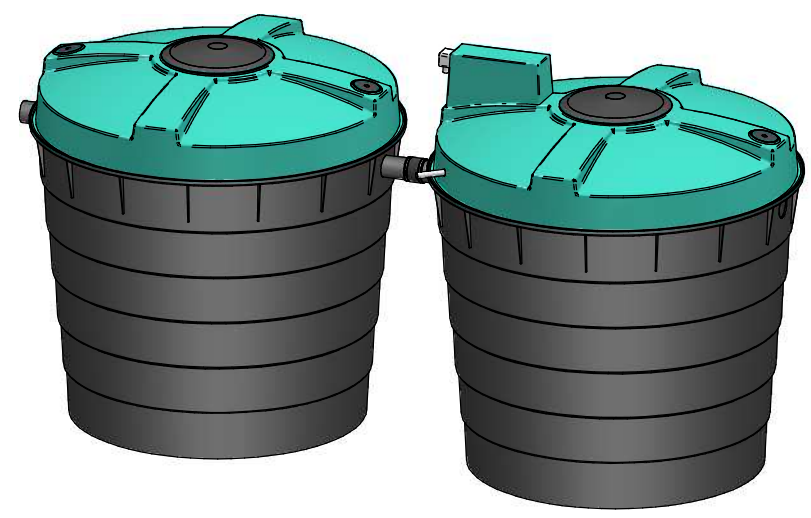
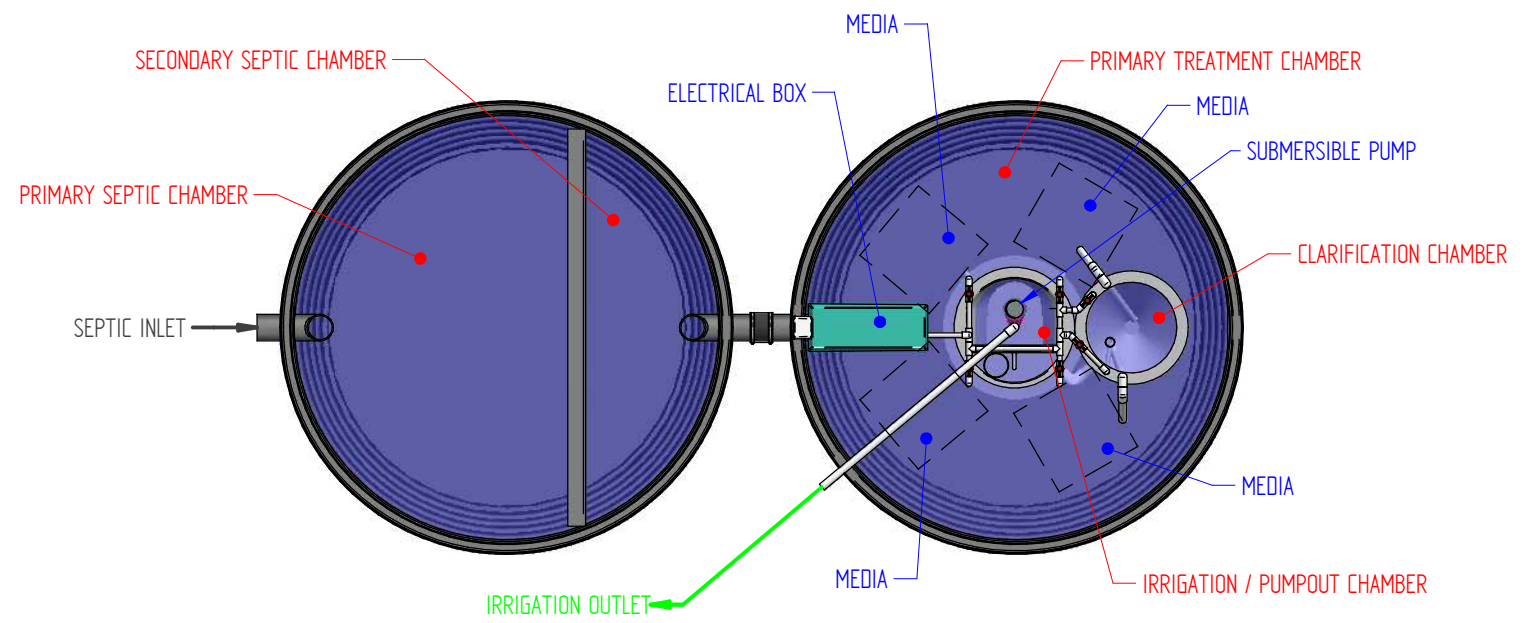
2

3

4

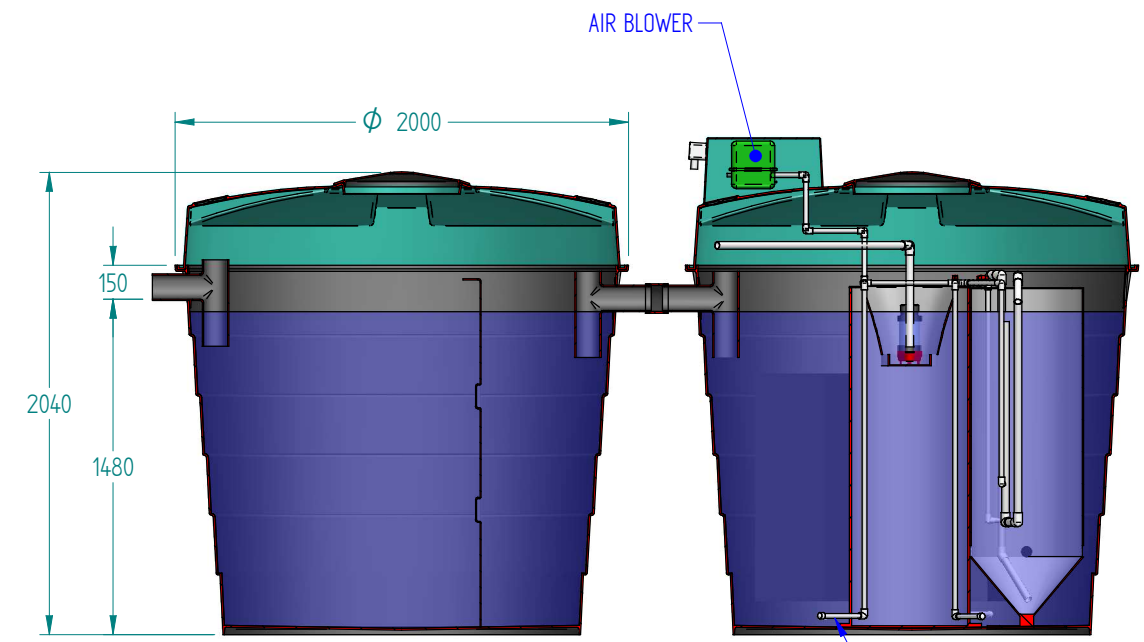
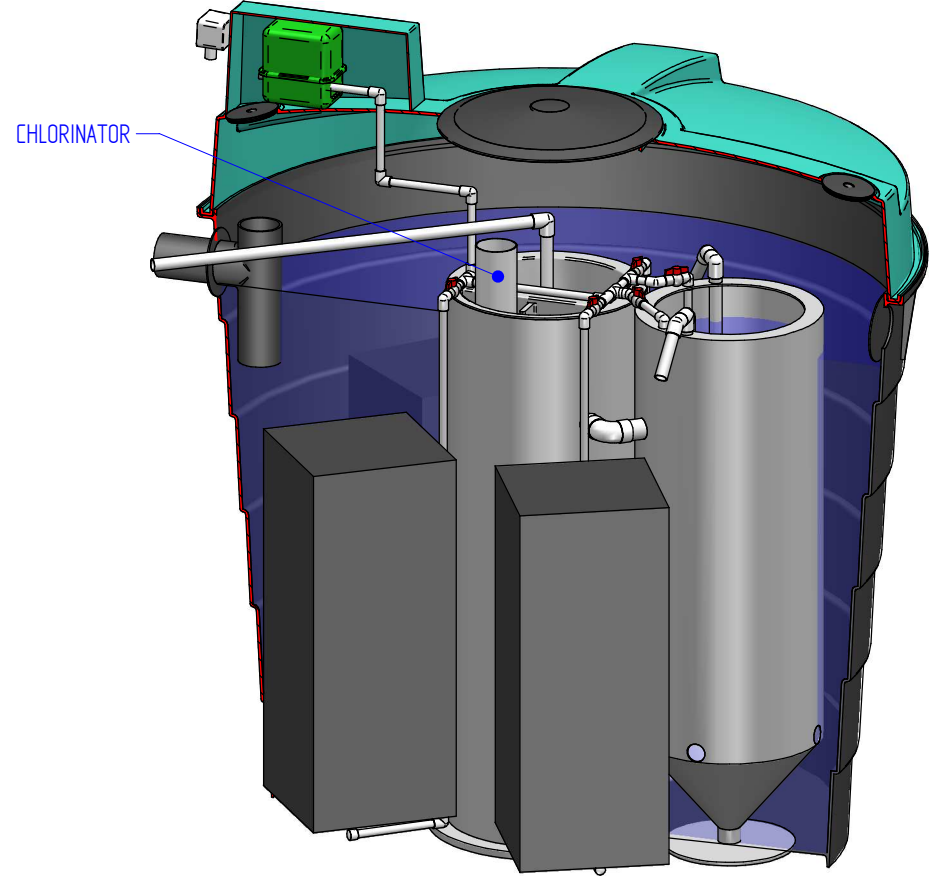
5

6



SEPTIC TANK

TREATMENT TANK



SECTION A-A

NOTES:
 1. SEPTIC TANKS MANUFACTURED AND TESTED IN ACCORDANCE WITH AS/NZS 1546.1:2008

<p>Econocycle <small>AERATED WASTEWATER TREATMENT SYSTEMS</small></p>	<p>UNLESS OTHERWISE SPECIFIED ALL DIMENSIONS ARE IN MM</p>	PROJECT ?	SHEET SIZE A3
		TITLE PLASTIC TWIN TANK SYSTEM CERTIFICATION DRAWING	
<p>COPYRIGHT <small>THIS DRAWING AND INFORMATION CONTAINED WITHIN REMAINS THE COPYRIGHT PROPERTY OF ECONOCYCLE AND CANNOT BE COPIED OR REPRODUCED WITHOUT WRITTEN PERMISSION</small></p>	SCALE DO NOT SCALE	DATE PLOTTED 28/09/2010	PART# 124_2210
	<p>DRAWN BY P MCKAY</p> <p>MODELLED BY P MCKAY</p>	<p>DRAWING LAST MODIFIED BY P MCKAY</p> <p>MODEL LAST MODIFIED BY P MCKAY</p>	
			SHEET No. 1 OF 1

1

2

3

4

5

6