

1

2

3

4

5

6

A

B

C

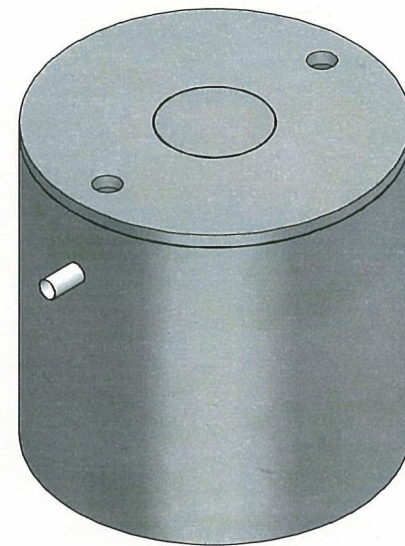
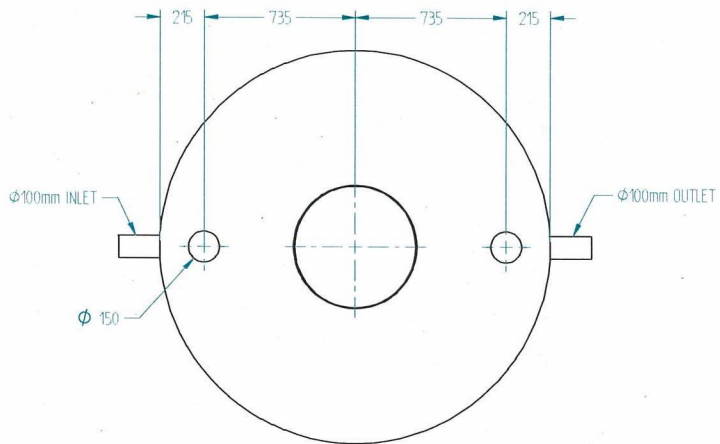
D

A

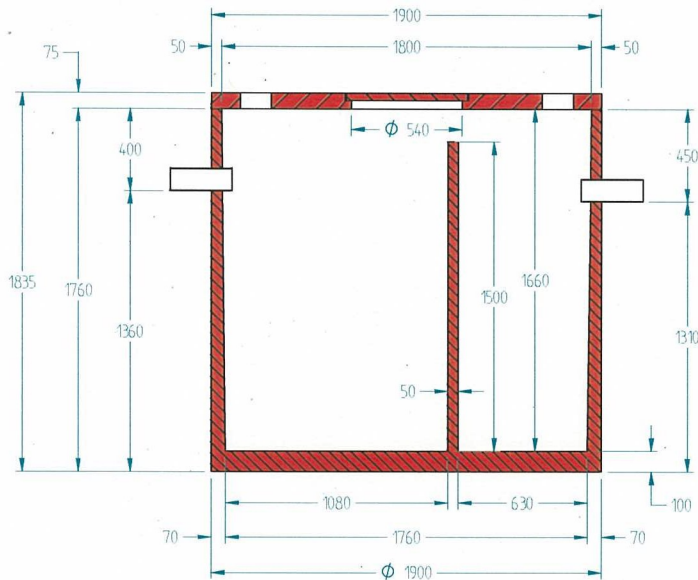
B

C

D



APPROVED
1 8 AUG 2010
DEPARTMENT OF HEALTH, N.S.W.



NOTES:

1. SEPTIC TANKS TO BE MANUFACTURED AND TESTED IN ACCORDANCE WITH AS/NZS 1546.1:2008
2. CONCRETE STRENGTH = 40MPa
3. CONCRETE TO BE VIBRATED TO ENSURE WELL COMPACTED CONCRETE
4. TANKS TO BE REINFORCED WITH FIBRE STEEL
5. LIFTING TO BE "REID SWIFT LIFTS" 4 x 2.5 TONNE FOOT ANCHORS CAST INTO BASE OF THE TANK. 3 x 1.3 TONNE ANCHORS CAST INTO TANK LIDS

		PROJECT	SEPTIC TANK	
	<small>UNLESS OTHERWISE SPECIFIED ALL DIMENSIONS ARE IN MM</small>	TITLE	2800L CONCRETE TANK ASSY NSW HEALTH CERTIFICATION DRAWING	
COPYRIGHT <small>THIS DRAWING AND ANY PARTS OR DETAILS THEREOF ARE THE PROPERTY OF ECONOCYCLE AND ARE NOT TO BE REPRODUCED OR TRANSMITTED IN ANY FORM OR BY ANY MEANS WITHOUT WRITTEN PERMISSION</small>	SCALE	DATE PLOTTED	EDAT/TREAT	SHEET SIZE
	DO NOT SCALE	27/07/2010	-	A3
<small>DRAWN BY</small> P. MCKAY	<small>DRAWING LAST MODIFIED BY</small> P. MCKAY	<small>PART #</small> 124_1210	<small>REVISION</small> 1.B	<small>SHEET No.</small> 1 OF 1
<small>MODELLED BY</small> P. MCKAY	<small>MODEL LAST MODIFIED BY</small> P. MCKAY			

1

2

3

4

5

6